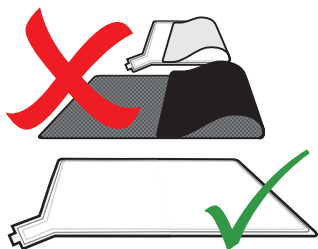


## 2544 Cordless Multiport Expander

### Optional Accessories (Sold Separately)

- 2719 Cordless Pad Transmitter
- 2629 Cordless Bed Pad
- 2630 Cordless Chair Pad
- 2624 Cordless Floor Mat
- 2406M Plug Pack 6V Power Adaptor
- 2721 iBeam
- 2588 Personal Emergency Transmitter (PET)
- 3503 Wireless Magnetic Reed Switch
- 2558 Wireless Waterproof Call Button
- 3502 Wireless Handset



Do NOT fold pads or mats when in transit or storage.

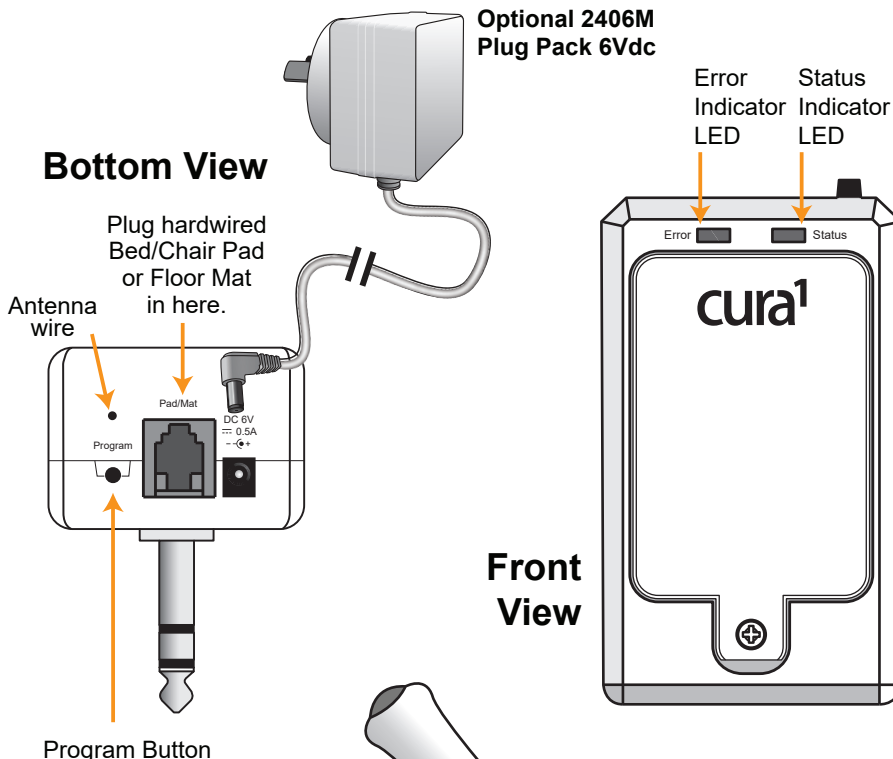
Keep pads & mats flat at all times



Do not immerse or wash pads or mats under running water. Use a damp cloth (1/1000 bleach solution) & wipe clean. Dry all spills on mats immediately.

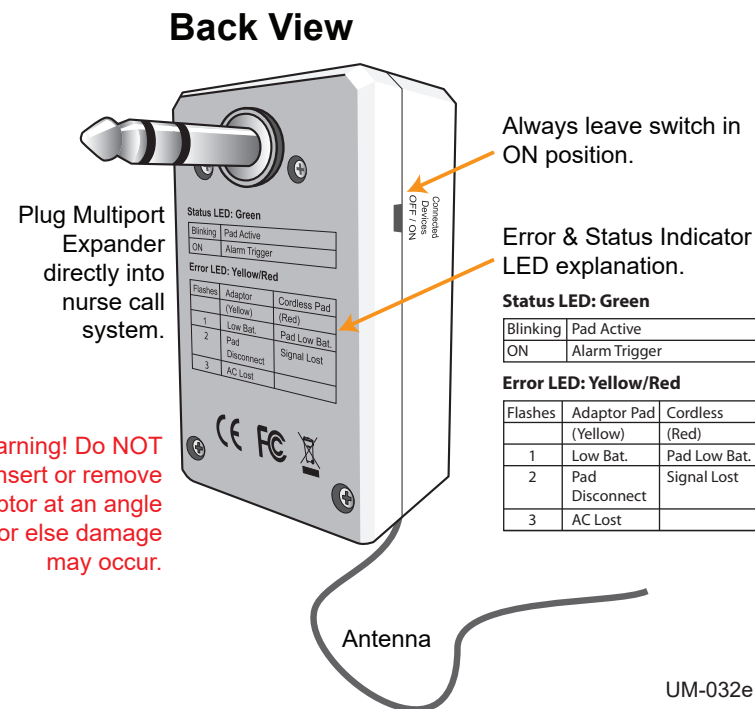
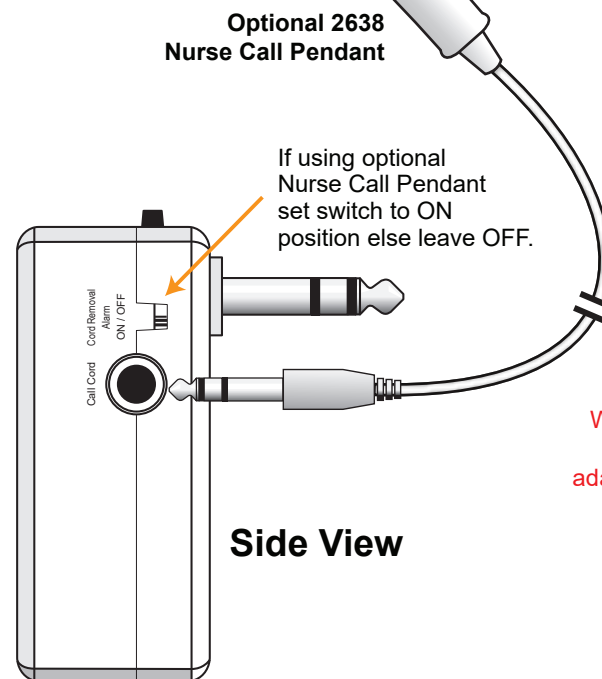
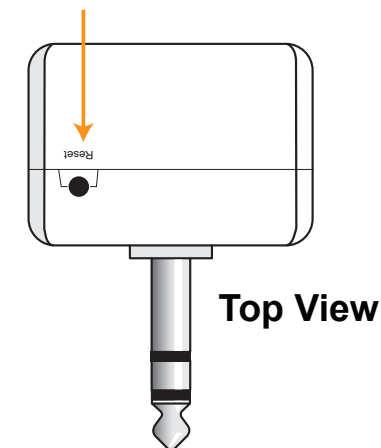


All our products are supplied with a full warranty and are guaranteed to be free from defects in material and workmanship



### Reset Button

1. Will clear any fault conditions e.g. Signal Lost or Low Battery
2. If no fault condition, then it will activate a 3 minute delay. Status LED will flash during the delay and no alarms will be generated. Pressing again before the 3 minutes have elapsed will return the unit to normal operation.

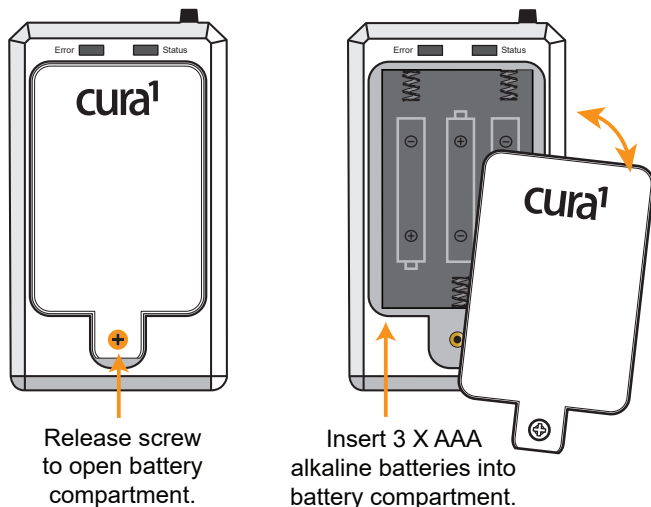


# QUICK START GUIDE

## 2544 Cordless Multiport Expander

### Step 1

Insert 3 x AAA alkaline batteries into battery compartment.



2544 Multiport Expanders are designed to work in a facility on alkaline batteries equivalent to those originally supplied with the device.

Operable alkaline batteries must be installed in the device at all times during operation. Batteries must be removed from the device while it's in storage.

Use of an optional 2406M Plug Pack will extend the usable battery life. Essentially a Plug Pack may not be required in most instances.

### Step 2

Pair Multiport Expander with transmitter/s.

Transmitters can be a Cordless Bed / Chair Pad, Cordless Floor Mat, Personal Emergency Transmitter (PET), iBeam, Magnetic Reed Switch, Waterproof Call Button or Wireless Handset.

1. Place transmitters to be programmed within easy reach.

2. **Clear the program memory:** Press & hold the Program button until the Error & Status LEDs illuminate. Keep holding down the Program button until the LEDs flash quickly, then release.

3. **Enter Program Mode:** Press & hold the Program button on the Multiport Expander until the Error & Status LEDs illuminate. Now release the Program button.

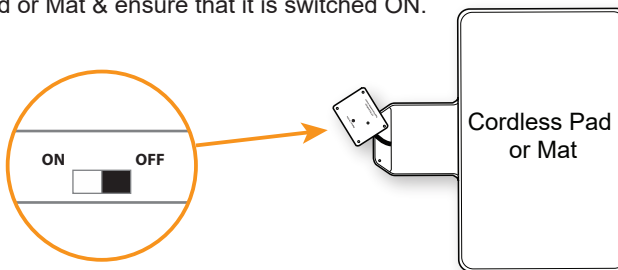
4. **Pair the first transmitter:**

- For a 2719 Cordless Pad / Mat Transmitter: turn the transmitter from OFF to ON. The **Error LED** will flash once to acknowledge successful pairing
- For all other transmitters: Activate the transmitter (trigger an alarm). The **Status LED** will flash once to acknowledge successful pairing.

After a successful pairing the Multiport Expander will exit Program Mode and the Status and Error LEDs will go out.

5. **Pair remaining transmitters:** Repeat step 3 & 4 for each transmitter to be paired. Up to 2 Cordless Pad / Mat Transmitters and up to 3 other devices can be paired with each Multiport Expander.

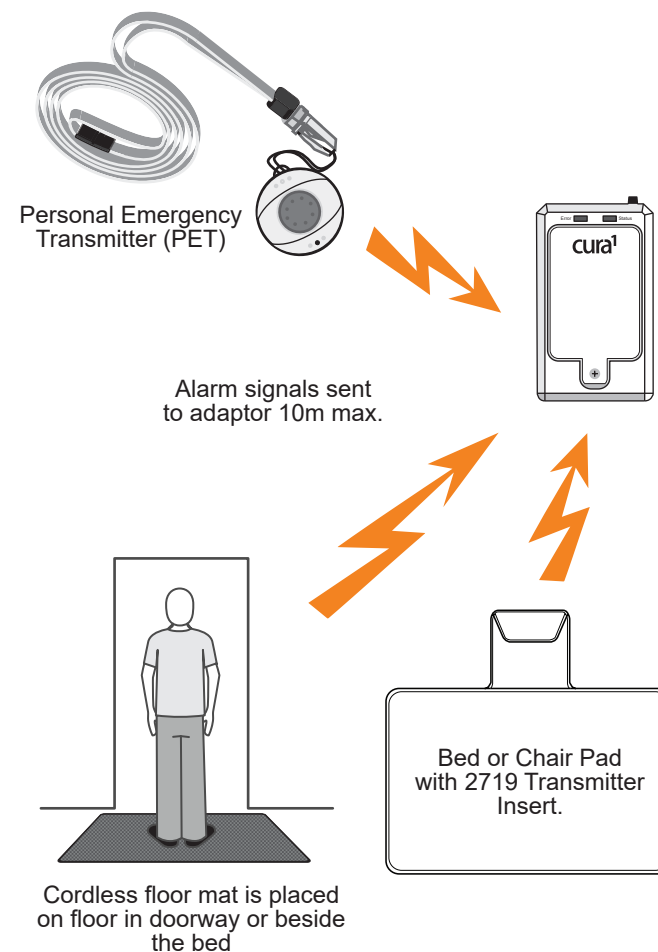
6. **If 2719 Transmitter is used** then connect it to Cordless Pad or Mat & ensure that it is switched ON.



**Please Note:** A 2719 Transmitter Insert which has been switched off will be in hibernation mode when it is switched on again. Be sure to activate it for 15 seconds to wake it up so that you can test it in Step 3. Please refer to the documentation that came with your 2719 Transmitter if you require more information.

### Step 3

Plug Multiport Expander into nurse call system & test operation of all devices in their final location.



Test Multiport Expander prior to every use.